

# Twinglock 900



## Stylish security control

The Twinglock 900 offers a stylish indoor security access control solution. The frameless toughened glass door wings are mounted in two opposing columns housing the drive, control system and locking mechanisms. The stylish transparent design of stainless steel and glass fits unobtrusively into most surroundings.

### Two wing access

Utilising advanced sensor technology, the two simultaneously operating door wings open and close swiftly, thereby allowing successive access in both directions.

Used in many types of buildings, including corporate, government and financial offices, the Twinglock is a security barrier ideal for use in reception areas, where a secure environment is required.

Your **Security.** Our **Solution.**

## Elegant design

### Finishing

The Twinglock 900 column and 48mm tube frame are finished in brushed stainless steel 320s, AISI 304. Clamps concealed within the columns are used to mount the 10mm thick tempered glass door wings.

### Construction

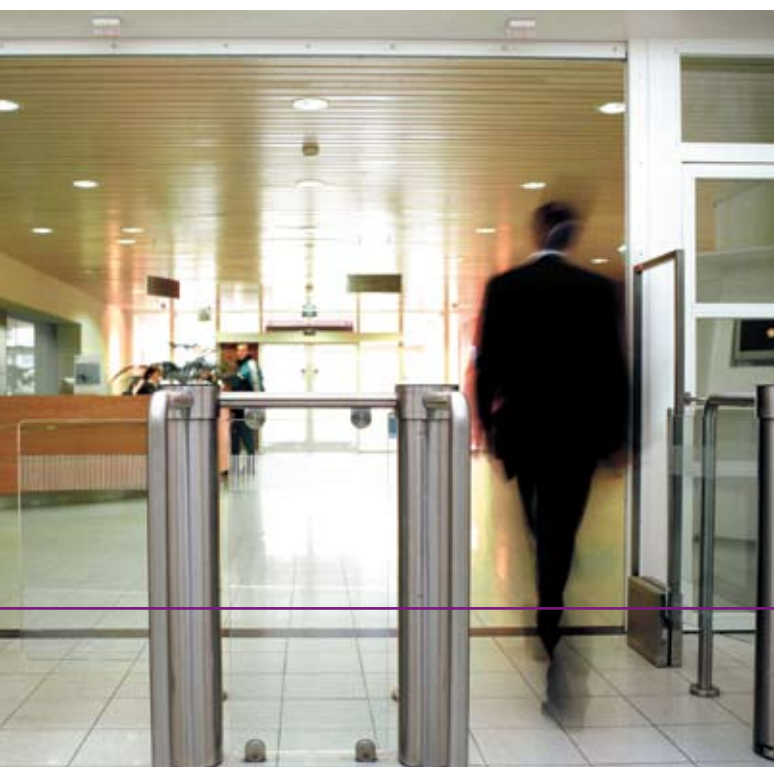
The controls, motor and locking mechanism are housed within 168mm diameter drive columns, which can be surface mounted onto any solid floor to allow ease of installation and maintenance.

### Options

- Card reader mounting
- Extra console for mounting external card readers
- Visible half-round clamps



*'User safety is an important issue when you are securing your entrance'*



## Safety features

**At Boon Edam we put safety first. User safety and the ability to provide emergency egress, if necessary, are important issues when securing any entrance.**

### User safety

The Twinglock 900 drive is equipped with an obstruction sensor which prevents users being accidentally trapped by the door wings during operation.

### Emergency

Fail-safe operation ensures the lock and motor will disengage in the event of a power failure to allow free passage. Alternatively, if back-up power is available, the Twinglock 900 can be programmed to open fully in the escape direction upon receipt of a fire alarm signal.

# Working principale

The Twinglock 900 is always locked in the rest position, but will open in the desired direction when authorisation is granted via an access control system, or external control panel.

Activated by photocell sensors, the door wings will close immediately behind the authorised person, preventing a second unauthorised person from entering.

## Operating modes

The door wings have two opening modes. The standard mode creates a narrower 70° entrance for passage of a single authorised person. In the special mode, the door wings fully open to 90° to create a wider passage for wheelchairs, trolleys or large luggage.

## Software controlled

All software reprogramming is carried out using an external PDA, allowing faultfinding and functionality adjustments to be made without the need for disassembly.

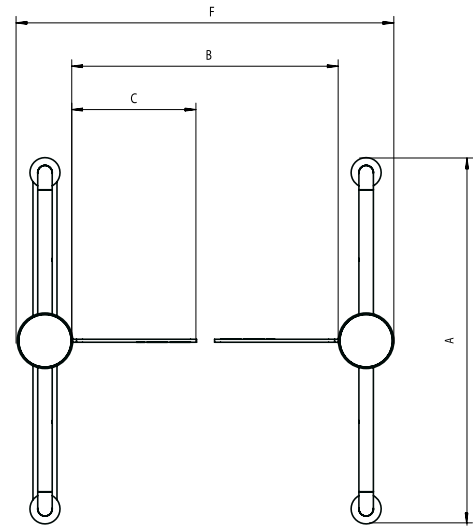
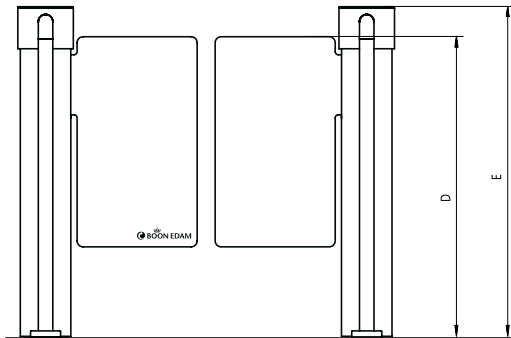
## Options

- Adjustable security level settings.
- Speed adjustment of door wings.
- Authorisation and alarm buzzer on/off.
- Free-out sensors, allowing fast exit.



# Standard dimensions

	<b>Door wings</b>	<b>A Passage length (mm)</b>	<b>B Max passage width (mm)</b>	<b>C Door wing width (mm)</b>	<b>D Door wing height (mm)</b>	<b>E Overall height (mm)</b>	<b>F Overall width (mm)</b>
Twinglock 900	2	1220	885	400	1000	1100	1255



## Technical specifications

Power supply	200-240 VAC, 50/60 Hz
Power consumption:	
Operating	75 W
Stationary	35 W
Ambient temperature	-20°C to +50°C
Weight	100kg
Compatibility	The Twinglock is compatible with most access control systems by using potential free contacts.

## High quality

At Boon Edam, we take quality seriously. Quality of the materials we use, quality of our employees as well as quality of our partners. As with all Boon Edam products, the Twinglock 900 is manufactured to the highest standards, is CE approved and complies with the Machine Directive (98/37/EEC), the EMC-Directive (89/336/EEC) and the Low Voltage Directive (93/68/EEC).

Distributor

TK900-1008-GBR-95903311